



TEREX PEINER GmbH

Gottbillstraße 1-7 · D-54294 Trier
Telefon ++49 (6 51) 81 00 8 - 0
Telefax ++49 (6 51) 8 76 40 u. 8 93 00
Internet <http://www.peiner.com>
e-mail terex@peiner.com

Typenblatt Specification Sheet Fiche Technique

FEM 1001/3

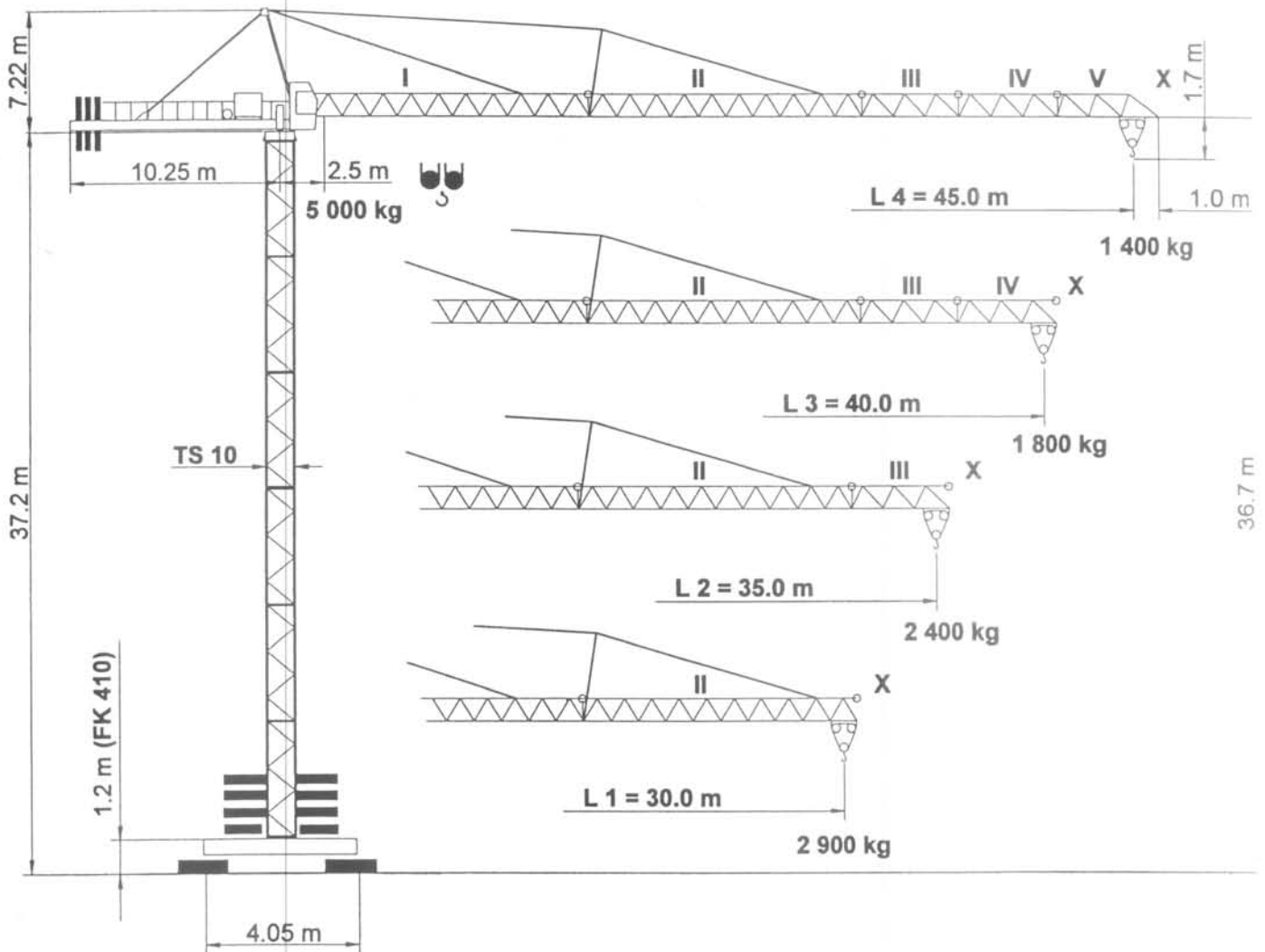
A3

Max. Tragfähigkeit
Lifting capacity
Force de levage

5.0 t



PEINER SK 86



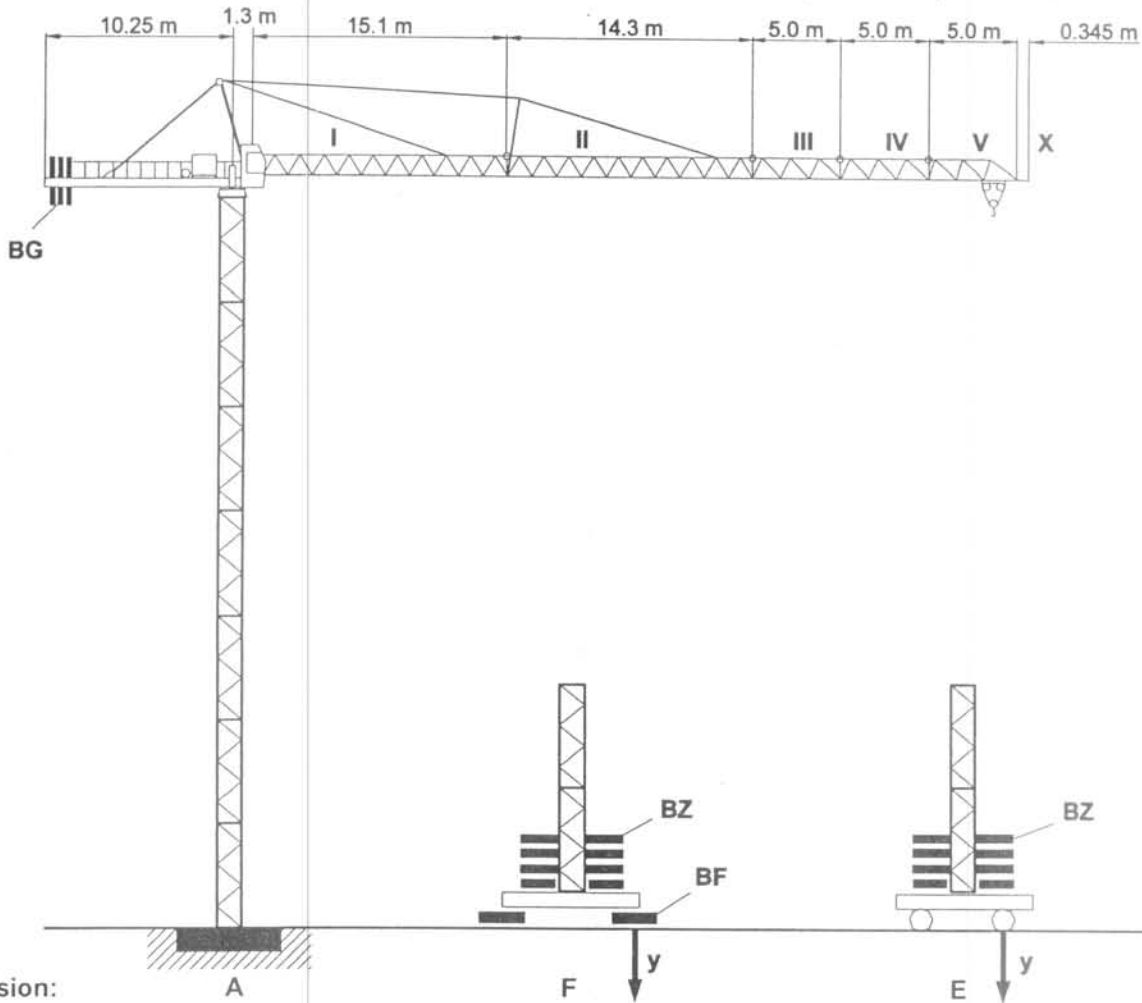
36.7 m

Unsere Vertretung:
Our representative:
Notre représentant:

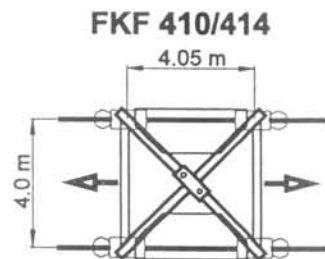
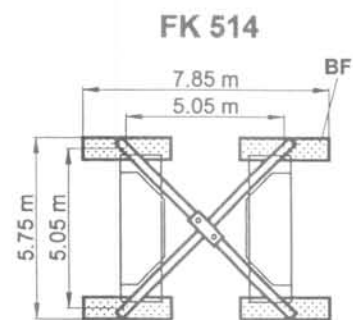
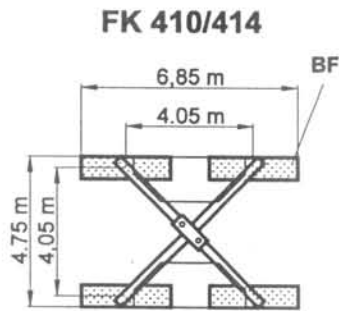
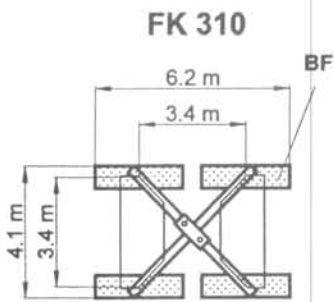
GRUE A TOUR
TOWER CRANE
PEINER TURMDREHKRAN

Turmkombinationen, Hakenhöhen, Eckkräfte, Zentralballast

Combinations of tower section, hook heights, forces acting per corner, base ballast
 Combinations possibles et hauteurs sous crochet, pressions par coin, contrepoids central



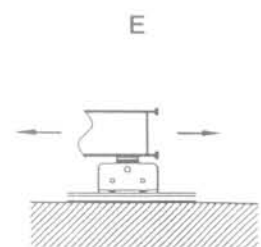
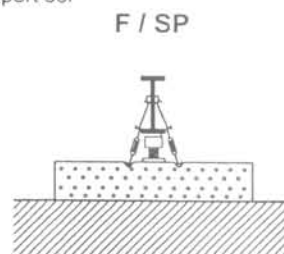
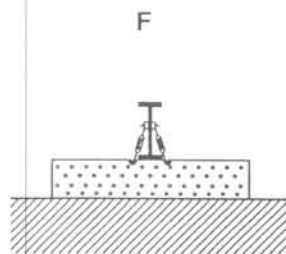
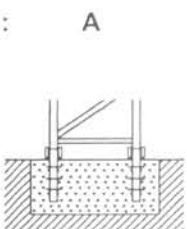
Version:



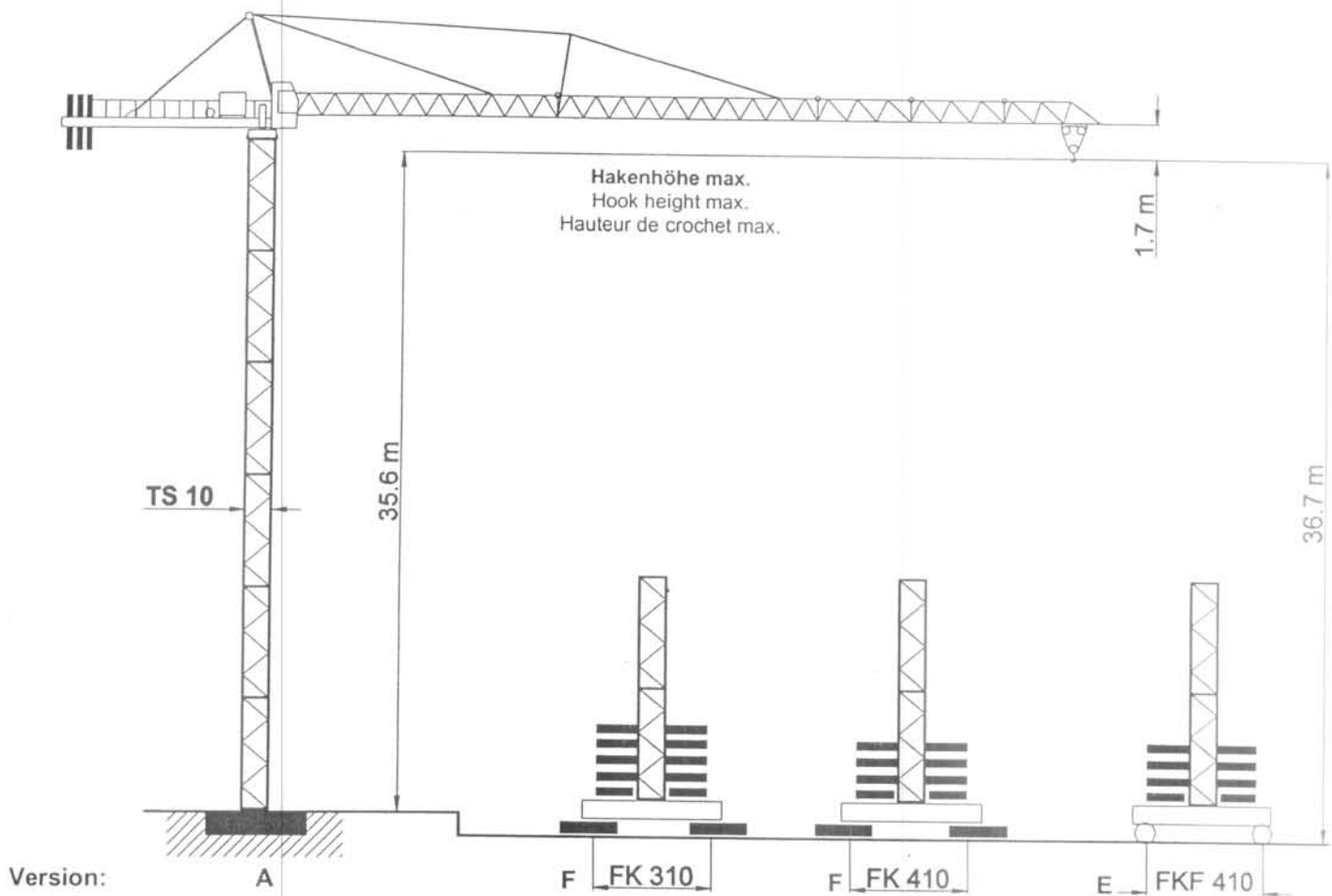
Bodenauflagen

Ground support
Support sol

Version:



SK 86 Turm / Tower / Tour TS 10



| TS 10 | | Version A | Version F | | | | | | Version E | | | | | | | | |
|-----------------------------------------------------------------------|-------------|-----------|-----------|--------------------------------------------------------|-------------------|-----------------|-------------------|-------------------------------------------------------------|-----------|------------------------------------------------------------------------------------|--------------------------------------------|--------------------------------|---------|-----|------|----|------|
| Turm / Tower / Tour TS 10.3 | TS 10.4 | HK | HK | BZ + BF | i.B. | y | a.B. | BZ + BF | i.B. | y | a.B. | Turm / Tower / Tour TS 10.3 | TS 10.4 | BZ | i.B. | y | a.B. |
| 6.0 m | 12.0 m | m | m | t | kN | kN | t | kN | kN | t | kN | 6.0 m | 12.0 m | t | kN | kN | kN |
| 6 x TS 10.3 | 3 x TS 10.4 | 35.6 | 36.7 | 50.8 | 398 | 447 | 40.8 | 346 | 380 | 1 x TSV 10.3 5 x TS 10.3 | 1 x TSV 10.3 2 x TS 10.4 1 x TS 10.3 | 50 | 391 | 404 | | | |
| 5 x TS 10.3 | | 29.6 | 30.7 | 40.8 | 351 | 325 | 40.8 | 326 | 303 | 5 x TS 10.3 | | 40 | 343 | 312 | | | |
| 4 x TS 10.3 | 2 x TS 10.4 | 23.6 | 24.7 | 40.8 | 330 | 274 | 30.8 | 283 | 233 | 4 x TS 10.3 | 2 x TS 10.4 | 40 | 322 | 262 | | | |
| 3 x TS 10.3 | | 17.6 | 18.7 | 40.8 | 311 | 271 | 30.8 | 266 | 230 | 3 x TS 10.3 | | 30 | 278 | 233 | | | |
| 2 x TS 10.3 | 1 x TS 10.4 | 11.6 | 12.7 | 40.8 | 295 | 267 | 30.8 | 252 | 226 | 2 x TS 10.3 | 1 x TS 10.4 | 30 | 261 | 230 | | | |
| 1 x TS 10.3 | | 5.6 | 6.7 | 40.8 | 280 | 264 | 30.8 | 239 | 223 | 1 x TS 10.3 | | 30 | 247 | 226 | | | |
| Fundament Foundation Fondaton 5.0 x 5.0 x 1.2 m | | | | Fundamentkreuz Cruciform base Croix de fondation | | | | | | Fundamentkreuz, fahrbar Cruciform base, railgoing Croix de fondation, mobile | | | | | | | |
| Fundamentfüße Fixing angles Ancres de fondation 4 x FF 10/14 | | | | FK 310 | | FK 410 | | | | FKF 410 | | | | | | | |
| | | | | BF 4 x 2.7 t | BZ Block 5.0 t | BF 4 x 2.7 t | BZ Block 5.0 t | Fahrschemel / bogie gerade / straight / droite F 40/1 | | | | | | | | | |

TS 10.3 = 6.0 m

TS 10.4 = 12.0 m

TSV 10.3 = 6.0 m